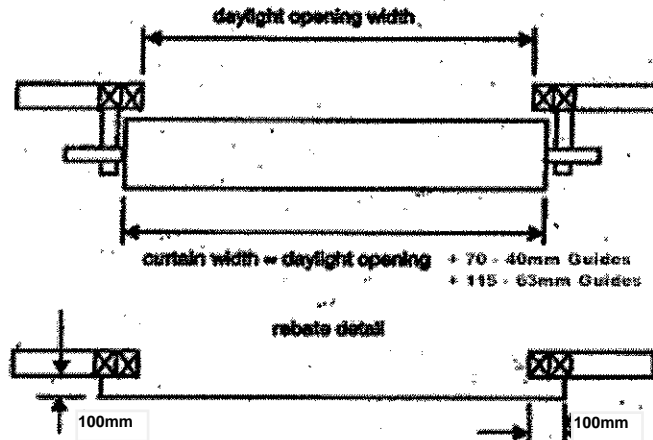
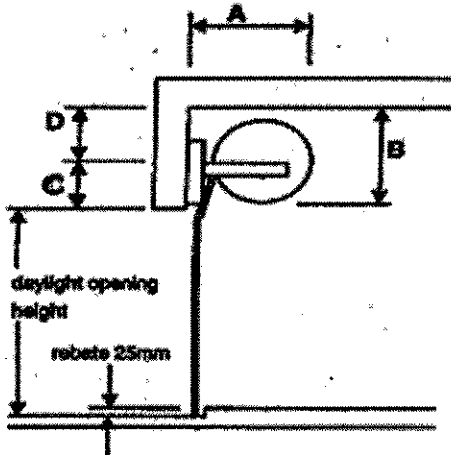


WINDSOR

ROLLER DOOR FRAMING AND INSTALLATION INSTRUCTIONS

DOMESTIC 0.4 - UPTO 3.0M HIGH
COMMERCIAL 0.55 AND ALUMINIUM SLAT SHUTTER



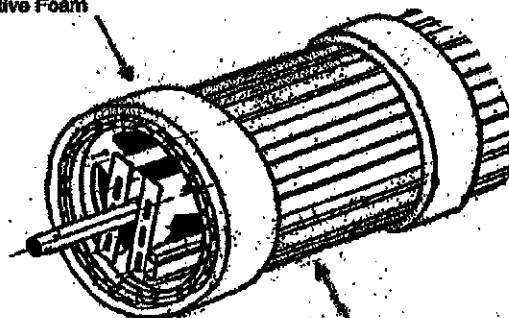
Sideroom	40mm Guide	63mm Guides
Manual operation	130	155
Chain drive operation	220	250
Automatic operation	190	210

Height	A & B	C	D
2.4	400	250	240
3	430	250	255
3.6	460	250	270
4.2	490	250	285
4.8	520	250	300

IMPORTANT

- 1 Read Instructions thoroughly before commencing Installation.
- 2 DO NOT grease guides.
- 3 Once installation is complete the strippable plastic film must be removed.
- 4 DO NOT cut plastic wrapping which hold the door till completion of Step 5.

Protective Foam

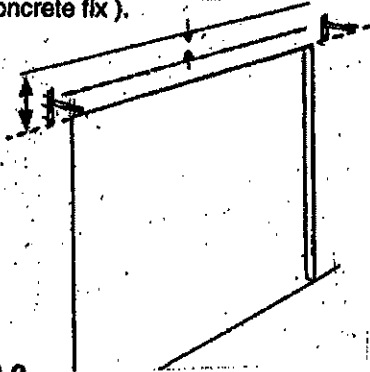


MANUFACTURED IN NEW ZEALAND BY

WINDSOR DOORS LIMITED
347 GREAT SOUTH ROAD
TAKANINI
AUCKLAND
PHONE 09 2988655 FAX 09 2980626

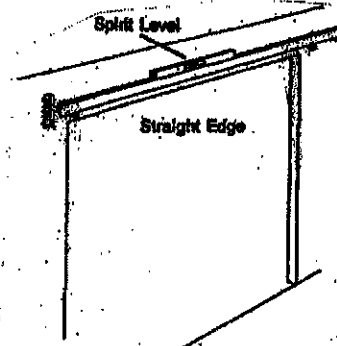
STEP 1

Fix one wall bracket to lintel with Woodtech Screws (for timber fix) or Masonary Anchors (for concrete fix).



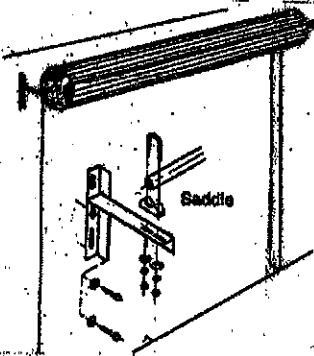
STEP 2

Position the other bracket level with the other wall bracket. Ideally use a water level, laser level or spirit level to ensure brackets are perfectly level.



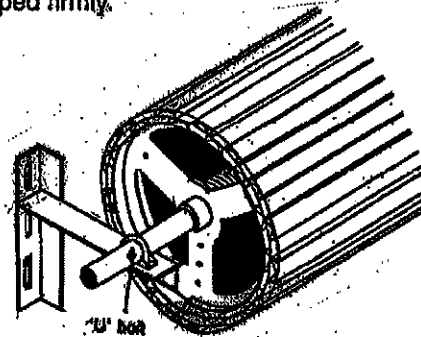
STEP 3

Lift the roller door up onto the wall brackets with the saddle under the axle. Fit the U - bolts, washers and nuts over axle into slotted holes on wall brackets. Centralise the door with the opening moving both axle and door together.



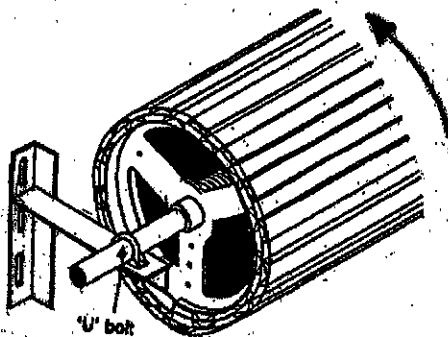
STEP 4

Secure the axle to the support brackets with the U - bolts locking them very tightly using washers under the nuts. Spring tension will be lost if axle is not clamped firmly.



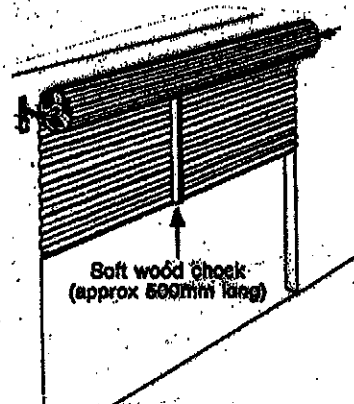
STEP 5

Tension the spring by rotating the wrapped door approximately 2 turns in the direction of the arrow as shown. The amount of tension required varies for different doors but final adjustments can be made after erection.



STEP 6

While holding door in its tensioned position cut plastic wrapping which is holding the door in a roll and pull door curtain down approximately 500mm. **BE CAREFUL** - door will have a strong tendency to rise and unroll which if let go can cause damage to door. It must be held in position until guides and stops are fitted. Use a piece of wood approximately 500mm long as a choke.

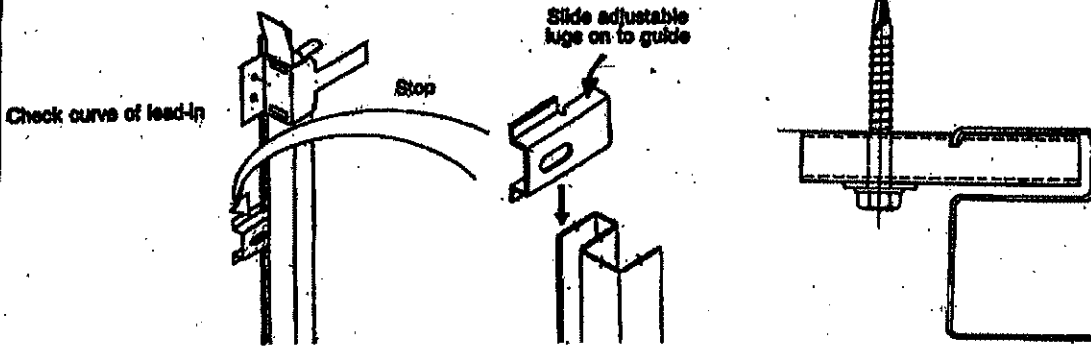


STEP 7

Prepare guides for fixing to the wall.

1. Curve the top entry of each guide to provide a "lead in" for the door curtain as shown.
2. Cut guides so that the overall length is equal to the opening height plus 65mm. Cut excess off bottom of guide.

3. Slide the adjustable guide fixing lugs into each guide.



STEP 8

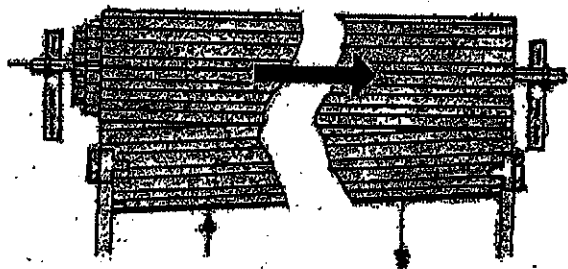
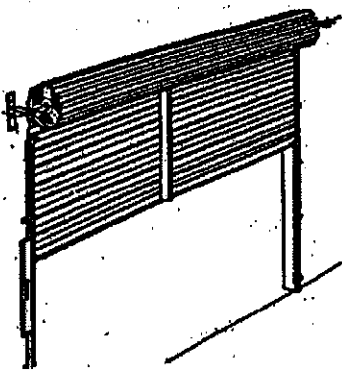
With the door centralised, slide left hand guide over edge of door curtain. Fix using Woodtech Screws (for timber fix) or masonry anchors (for concrete fix) with the fixing lugs spaced evenly from top to bottom. It is important the guide is fixed in a vertical position regardless of wall. Remove wooden chock and while holding bottom rail of door against the left hand guide fix top of right hand guide. There should be approximately 3 mm clearance between side of door curtain and guide.

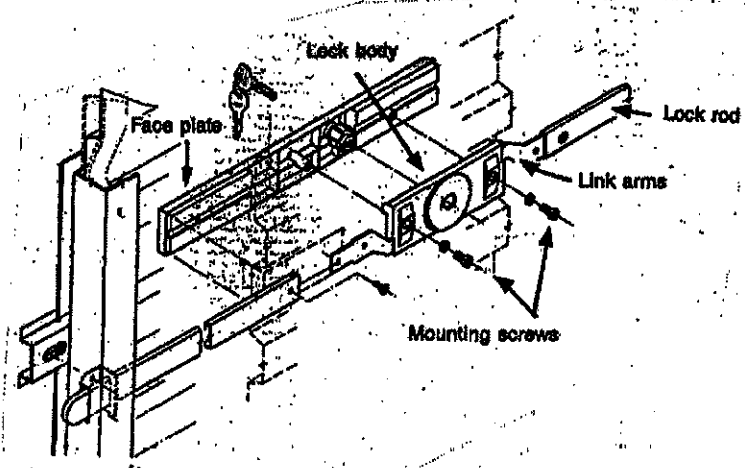
STEP 9

Check operation of door.

If the door rolls up crooked and the bottom rail does not look parallel with the door roll or the edge of the roll is not flush check the following:

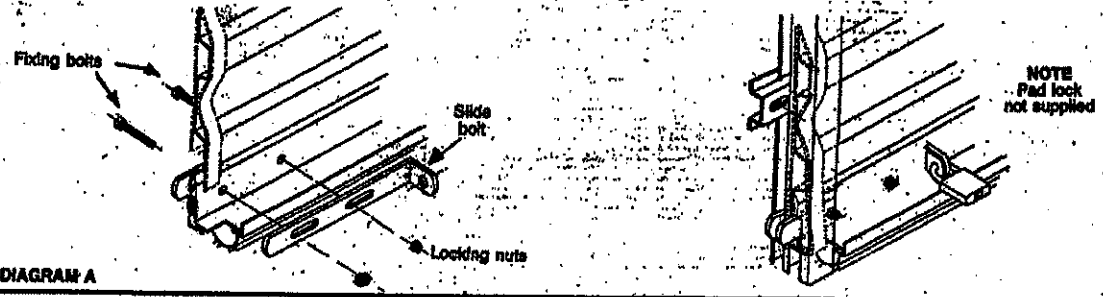
1. Brackets are level
2. Axle is centralised - to centralise the axle:
With door rolled up and a firm hold on the axle with the pipe wrench, loosen the "U" bolts and move the axle sideways 10mm at a time, in the direction of the arrow. Re-tighten "U" bolts and nuts.





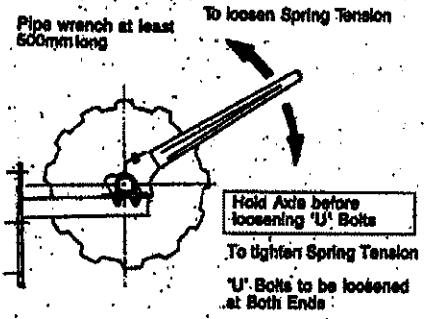
LOCKING SYSTEM

Method for mounting Locking Device
 Remove parts from lock bag and place in order as illustrated in exploded view, diagram A. Assemble as shown in diagram B. Use set spanners to fix lock nuts securely.



MAINTENANCE

- Spring Tension Adjustment**
1. Grasp firm hold on axle with pipe wrench as illustrated.
 2. Loosen 'U' bolts at both ends of door.
 3. Increase or decrease spring tension.
 4. Tighten 'U' bolts securely before releasing grip on pipe wrench.
 5. Test door operation and repeat if necessary.



Painting
 Please refer to paint manufacturer's specs. for galv. doors.
IMPORTANT! Do not paint inside the guide tracks.

WARNING: No guarantee will be given or responsibility accepted by manufacturer if the door is not erected as indicated.